

**TJ3
TJ6
TJ10
TJT12**

Capacity 660 / 1,320 / 2,200 / 2,640 lbs



Hydraulic transmission jack

- Pedal operated pump leaving both hands free for working
- Precise adjustment for positioning of transmission
- Hand operated dead man's release for optimum safety when lowering
- Galvanized support saddle and base frame
- Built-in safety overload valve
- Sturdy swivel castors for optimum stability and maneuverability
- Hard chromium plated piston rod and pump piston for long life
- Also suitable for many other lifting operations such as mounting of springs, fuel tanks, exhaust pipes etc.

Options



Gearbox saddle

Capacity: 660 lbs

Dimension: 14 1/8" x 14 1/2"



Heavy duty gearbox saddle

Capacity: 2200 lbs

Dimension: 20 7/8" x 15"



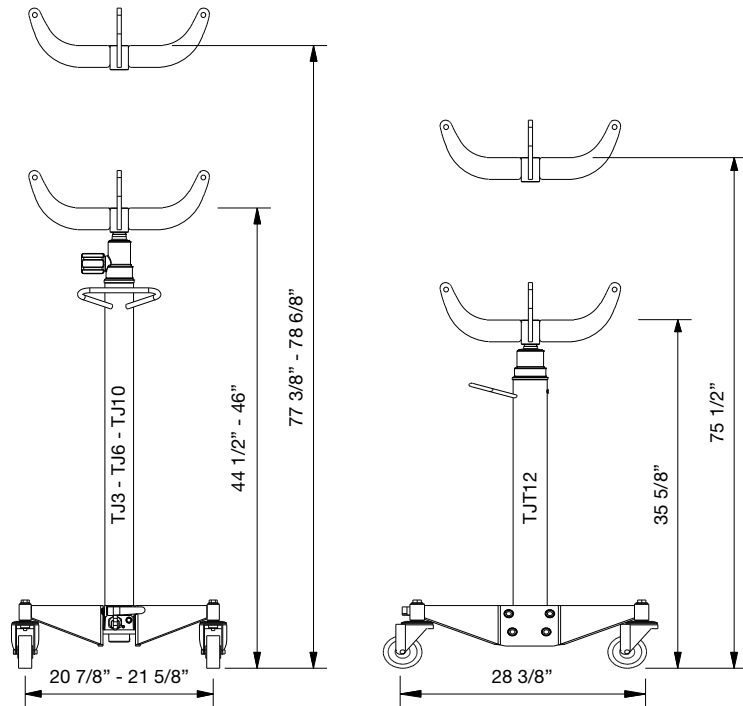
Saddle

Suitable for mounting springs, fuel tanks, exhaust pipes etc.



Rubber cushion

To be used with the saddle for protection of car body



	TJ3	TJ6	TJ10	TJT12
Capacity	660 lbs	1,320 lbs	2,200 lbs	2,640 lbs
Min. height	44 1/2"	44 1/2"	46"	35 5/8"
Max. height	77 3/8"	77 3/8"	78 6/8"	75 1/2"
Width	20 7/8"	20 7/8"	21 5/8"	28 3/8"
Weight	72,6 lbs	72,6 lbs	88 lbs	154 lbs
Wheel diameter	3 1/8"	3 1/8"	5"	5"

stertil KONI

 a member of the Stertil Group

Stertil-Koni U.S.A. Inc.
200 Log Canoe Circle
Stevensville, Maryland 21666
Tel. 410-643-9001
Toll free 800-336-6637
Fax 410-643-8901
lifts@stertil-koni.com

www.stertil-koni.com

 StertilKoniUSA

 @StertilKoniUSA