

**KOON**

**ster**til®



**SK 2070 / SK 2082  
hydraulic two-column lifts,  
16,000-18,000 lbs**



**“THE FLEXIBLE  
SOLUTION FOR  
DELIVERY VANS AND  
LIGHT TRUCKS”**



## Options

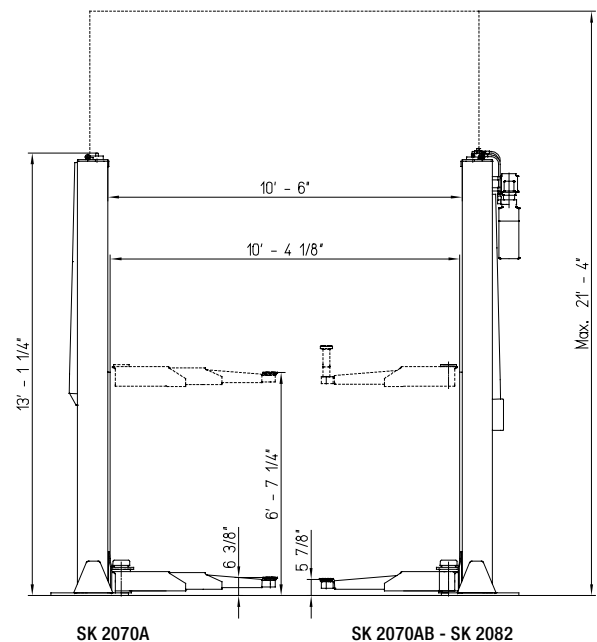
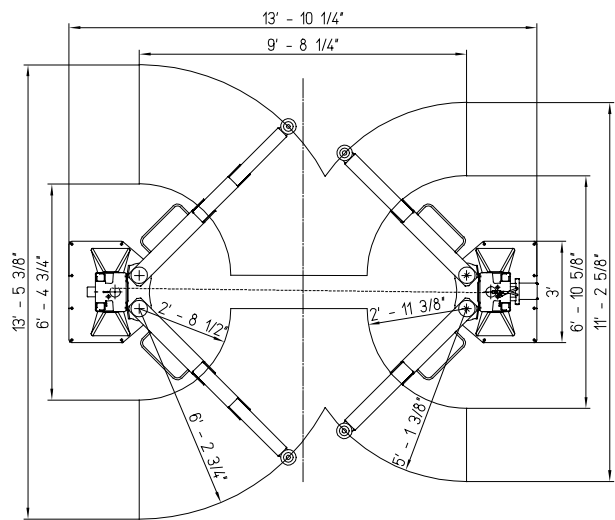
- Lighting set (4 fixtures) 24V-IP67
- Special lifting pads for various types of vehicles
- Soft-lowering valve (lowering starts slowly); only available for SK 2070A / AB models
- Additional set of fittings for recessed installation of hydraulic connections
- Single-phase version (lifting time 97 seconds); only available for SK 2070A / AB models
- Second control box
- Custom RAL colors

## Maximum safety

- ANSI/ALI-ALCTV certified (United States of America)
- CSA certified (Canada)
- CE certified (Europe)
- Low voltage (24V) control panel
- Automatic protection against overloading
- Automatic activation of electromagnetic locking (prevents undesired lowering)
- The electromagnetic locking is active at all times because it works on gravity
- Microprocessor controlled levelling system
- Dead man's operation during lifting and lowering
- Automatic limiter that operates when the vehicle lift reaches its highest position
- Automatic arm locking, during lifting, the arms are automatically locked

## Specifications

Model	SK 2070AB	SK 2070A	SK 2082
Lifting capacity	16,000 lbs	16,000 lbs	18,000 lbs
Lifting height	79"	79"	79"
Min. lift pad height	5 7/8"	6 3/8"	5 7/8"
Max. arm length	5' - 1 3/8"	6' - 2 3/4"	5' - 1 3/8"
Min. arm length	2' - 11 3/8"	2' - 8 1/2"	2' - 11 3/8"
Lifting time	48 s	48 s	62 s
Motor rating	5 hp	5 hp	5 hp



## Additional information

Please contact us for additional information and details regarding the SK 2070 / SK 2082 or other quality Stertil-Koni products. We are always pleased to help you.



# sterdil KONI

Stertil Koni U.S.A. Inc., 200 Log Canoe Circle, Stevensville, Maryland 21666

Tel. 410-643-9001 Toll free 800-336-6637 Fax 410-643-8901

www.stertil-koni.com E-mail: lifts@stertil-koni.com



A MEMBER OF THE KROYMANS GROUP